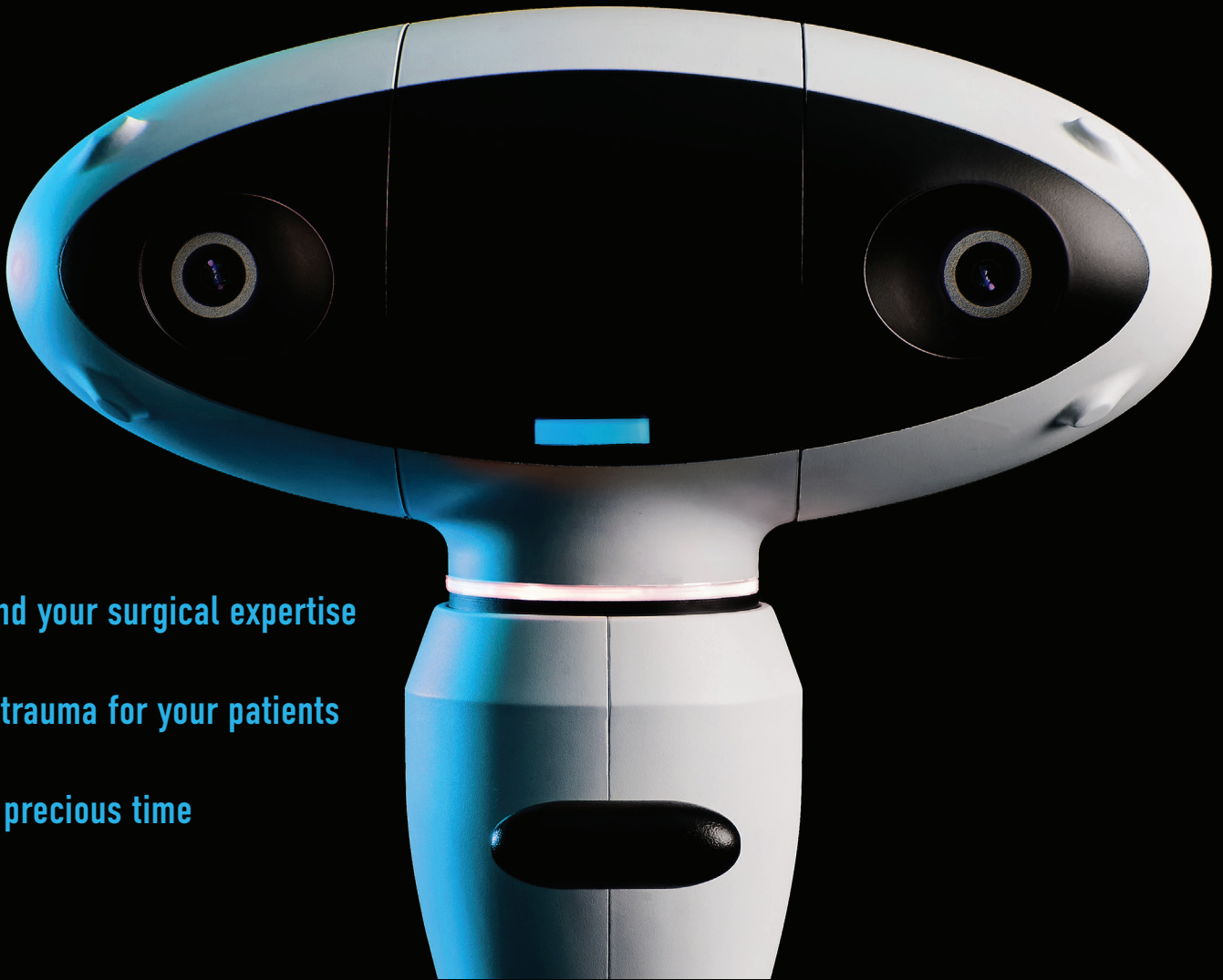



NAVIDENT
Precise. Efficient. Versatile



Expand your surgical expertise

Less trauma for your patients

Save precious time

Single implants



Multiple implants



Fully Edentulous Implants



Precision Dentistry

Technical data

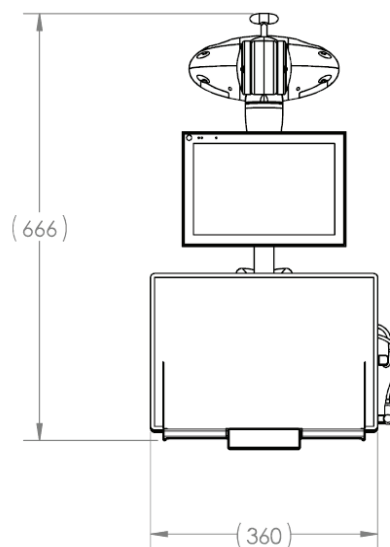
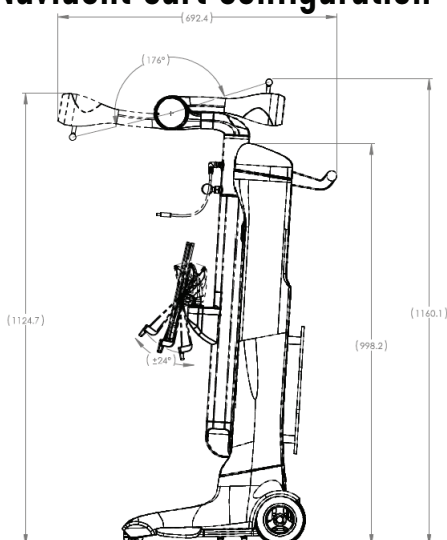
Camera system	<ul style="list-style-type: none">- 3X higher resolution for smaller-sized tag recognition and low latency- Optional add on: Robotic motorized camera for autofocus, tracking and optimized field of view maintenance
User interface	<ul style="list-style-type: none">- Place dental implants with precision and predictability- Guided endodontics for accurate access cavity preparations- Optional add on: Piezotome bone surgery to perform treatments with confidence
Hardware parts	<ul style="list-style-type: none">- Small-sized autoclavable hardware parts to precisely track surgical instruments
Patient registration	<ul style="list-style-type: none">- Trace registration - no second scan needed - trace in chair.- Impression registration - using a fiducial while scanning the patient - instant in chair.- Pair-Point registration - using bone screws - touch in chair.- Optional add on: automatic drill tip calibration in combination with any registration method
Workflow	<ul style="list-style-type: none">- Less overhead with registration options for any case scenario, including a new impression registration concept- Enhanced 3D rendering to facilitate treatment planning- Low procedure costs
Communication	<ul style="list-style-type: none">- Import and export tools to communicate with third-party programs and/or dental labs- Optional add on: integrated portal for communication with peers or Navident support
Suspension system	<ul style="list-style-type: none">- Mobile cart that allows to move the Navident system to alternate treatment rooms, eliminating the cost of wall or ceiling preparations- Wall mount system with balancing arm to give users freedom in positioning the camera and screen*- Ceiling mount system with balancing arm to give users freedom in positioning the camera and screen*
Ergonomics	<ul style="list-style-type: none">- Elevate, tilt or move the Navident to allow for a standing or seating position- 360 degree handpiece tracker for the treatment of more complex, i.e. all-on-x cases- Compatible with inclined and supine positions

* Wall or ceiling preparations are not included

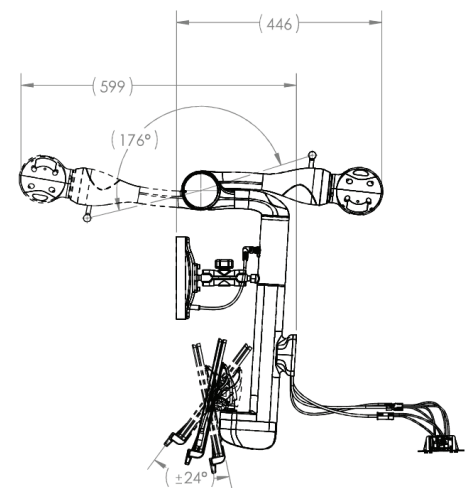
Configurations

The right solution for each dental practice thanks to different system options. A highly compact instrument with a small footprint, Navident 4 fits seamlessly into virtually any practice workflow environment.

Navident cart configuration



Navident mount configuration



75x75mm standard VESA mount - weight: 7kg

Try Navident's precision guidance for yourself.
Call 1 (844) 628-4336 or email info@claronav.com
navident.claronav.com